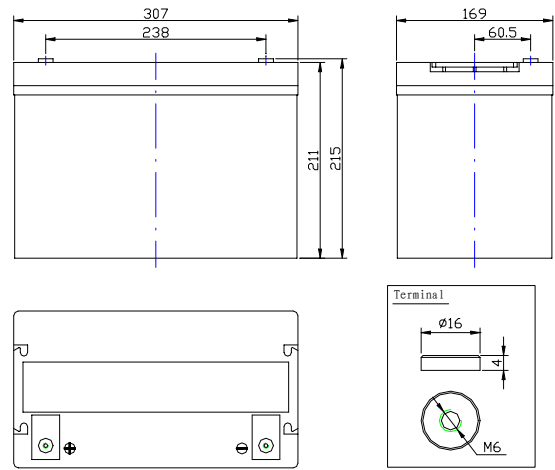


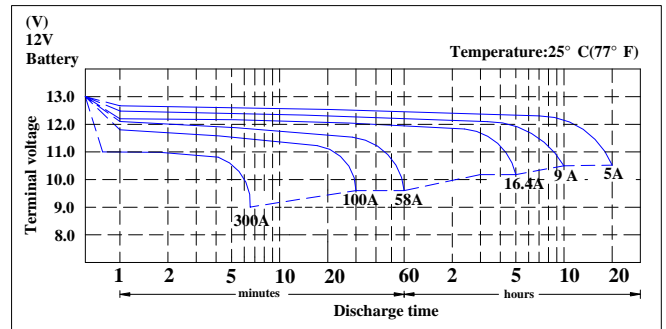
□ DC100-12



Specifications

Nominal Voltage		12V
Rated Capacity (20 hour rate)		100AH
Dimension	Total Height (with terminals)	215mm(8.46 inches)
	Height	211mm(8.31 inches)
	Length	307mm(12.09inches)
	Width	169mm(6.65inches)
Weight		Approx.30.2 kg (66.58lbs)

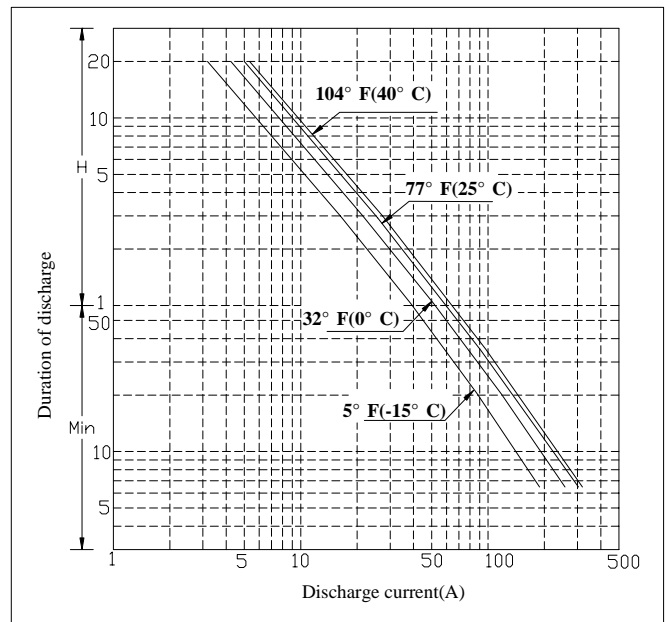
Discharge characteristics 77°F (25°C)



Characteristics

Capacity 77°F (25°C)	20 hour rate (5 A to 10.5Volts)	100AH
	10 hour rate (9 A to 10.5Volts)	90AH
	5 hour rate (16.4A to 10.2Volts)	82AH
Internal Resistance	Full charged Battery 77°F (25°C)	4.0m Ω
Capacity affected by Temperature (20 hour rate)	104°F (40°C)	102%
	77°F (25°C)	100%
	32°F (0°C)	85%
	5°F (-15°C)	65%
Self-Discharge 77°F (25°C)	Capacity after 3 month storage	91%
	Capacity after 6 month storage	82%
	Capacity after 12 month storage	64%
Standard Terminal	M6	
Max. Discharge Current 77°F (25°C)	1000A (5s)	
Cranking Performance	Cranking Amps (30-sec amps to 7.2V @ 32° F (0° C)	660A
	Cold Cranking Amps (30-sec amps to 7.2V @ 0° F (-18° C)	550A
Reserve Capacity (Minutes to 10.5V at 80°F (27°C)	@ 25Amps	150Min
	@ 75Amps	41Min
Charging (Constant Voltage)	Cycle	Initial Charging Current 20A Or Small 14.5V~14.9V/77°F (25°C)
	Float	13.6V~13.8V/77°F (25°C)

Duration of discharge vs. Discharge current



Constant Current Discharge Rating Amperes @ 77 °F (25°C)

Cut off voltage V/cell	15M	30M	45M	1H	2H	3H	5H	8H	10H	12H	20H	24H
1.75V	145	93	69	56.8	30.1	22.6	15.9	10.9	9.00	7.67	5.00	4.19